

Rubber Boxes Power Distribution

UL Type 3R Enclosures

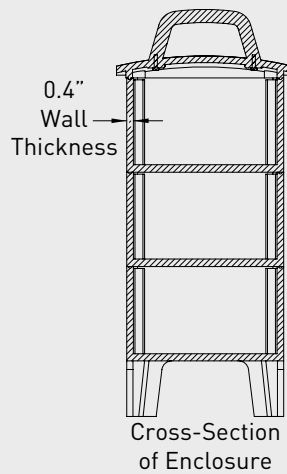
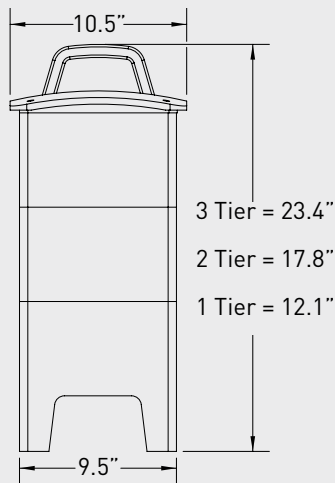


1 Tier

3 Tier

2 Tier

Choose from standard configurations on pages 157-159 or contact MELTRIC at 800.433.7642 for customized configurations.



Power Input up to 100A, 480 VAC.
Choose a mounted inlet or a cord & plug.



Mounted Inlet



Cord & Plug

Power Receptacles



Room for (2) DSN60 (or smaller) receptacles per side per tier.

Circuit Protection



Room for up to (10) poles of standard MCB's (mini circuit breakers) per tier.

Convenience Outlets



Room for (2) Type 5-20R duplex receptacles per side per tier or choose other convenience outlets.

1 TIER RUBBER POWER DISTRIBUTION BOXES

Configuration T1-C1

Notes: Two receptacles share a 3P breaker.



Side 1

(2) DSN Receptacles



Side 2

(2) 3 Pole MCB's



Side 3

(2) DSN Receptacles



Side 4

(1) Inlet

Voltage	Contacts	Part #: Configuration T1-C1-20A 20A DSN Recepts & 30A DSN Inlet	Part #: Configuration T1-C1-30A 30A DSN Recepts & 60A DSN Inlet	Part #: Configuration T1-C1-60A 60A DSN Recepts & 100A DSC100C Inlet
120 208V	3P+N+G	RBT1-C1-167-20A	RBT1-C1-167-30A	RBT1-C1-167-60A
125 250V	3P+N+G	RBT1-C1-077-20A	RBT1-C1-077-30A	RBT1-C1-077-60A
480V	3P+G	RBT1-C1-043-20A	RBT1-C1-043-30A	RBT1-C1-043-60A

Configuration T1-C2



Side 1

(1) DSN Receptacles
(1) 20A Type 5-20 Duplex GFCI



Side 2

(2) 3 Pole MCB's
(2) 20A 1 Pole MCB's



Side 3

(1) DSN Receptacles
(1) 20A Type 5-20 Duplex GFCI



Side 4

(1) Inlet

Voltage	Contacts	Part #: Configuration T1-C2-20A 20A DSN Recepts & 30A DSN Inlet	Part #: Configuration T1-C2-30A 30A DSN Recepts & 60A DSN Inlet	Part #: Configuration T1-C2-60A 60A DSN Recepts & 100A DSC100C Inlet
120 208V	3P+N+G	RBT1-C2-167-20A	RBT1-C2-167-30A	RBT1-C2-167-60A
125 250V	3P+N+G	RBT1-C2-077-20A	RBT1-C2-077-30A	RBT1-C2-077-60A

Configuration T1-C3



Side 1

(1) DSN 30A Receptacles
(1) DSN 20A Receptacles



Side 2

(2) 30A 3 Pole MCB
(2) 20A 3 Pole MCB



Side 3

(1) DSN 30A Receptacle
(1) DSN 20A Receptacle



Side 4

(1) DSN 60A Inlet

Voltage	Contacts	Part #: Configuration T1-C3 20/30A DSN Recepts & 60A DSN Inlet
120 208V	3P+N+G	RBT1-C3-167
125 250V	3P+N+G	RBT1-C3-077A
480V	3P+G	RBT1-C3-043

Notes: 30A receptacles are protected by individual 30A breakers. 20A receptacles share a 20A breaker.

* Ampacity ratings of MCB's match the receptacles they protect.

2 TIER RUBBER POWER DISTRIBUTION BOXES

Configuration T2-C1

Notes: Two receptacles share a 3P breaker.



Side 1

- (1) DSN 30A Receptacle
- (1) DSN 20A Receptacle
- (1) DSN 60A Receptacle



Side 2

- (2) 30A 3 Pole MCB's
- (2) 20A 3 Pole MCB's
- (2) 60A 3 Pole MCB's
- (2) 20A 1 Pole MCB's



Side 3

- (1) DSN 30A Receptacle
- (1) DSN 20A Receptacle
- (1) DSN 60A Receptacle



Side 4

- (2) 20A Type 5-20 Duplex GFCI
- (1) DS100C 100A Inlet

Voltage		Contacts	Part #: Configuration T2-C1 20/30/60A DSN Recepts & 100A DS100C Inlet
120	208V	3P+N+G	RBT2-C1-167
125	250V	3P+N+G	RBT2-C1-077

Configuration T2-C2



Side 1

- (4) DSN Receptacles



Side 2

- (4) 3 Pole MCB's
- (2) 20A 1 Pole MCB's



Side 3

- (4) DSN Receptacles



Side 4

- (2) 20A Type 5-20 Duplex GFCI
- (1) DS100C 100A Inlet

Voltage	Contacts	Part #: Configuration T2-C2-20A 20A DSN Recepts & 100A DS100C Inlet	Part #: Configuration T2-C2-30A 30A DSN Recepts & 100A DS100C Inlet
		120	208V
125	250V	RBT2-C2-077-20A	RBT2-C2-077-30A

* Ampacity ratings of MCB's match the receptacles they protect.

3 TIER RUBBER POWER DISTRIBUTION BOXES

Configuration T3-C1

Notes: Two receptacles share a 3P breaker.



Side 1

- (1) 20A Type 5-20 Duplex GFCI
- (2) DSN 20A Receptacle
- (2) DSN 30A Receptacle



Side 2

- (6) 20A 1 Pole MCB's
- (4) 20A 3 Pole MCB's
- (3) 30A 3 Pole MCB's



Side 3

- (1) 20A Type 5-20 Duplex GFCI
- (2) DSN 20A Receptacle
- (2) DSN 30A Receptacle



Side 4

- (1) 20A Type 5-20 Duplex GFCI
- (1) DS100C 100A Inlet

Voltage		Contacts	Part #: Configuration T3-C1 20 & 30A DSN Recepts & 100A DS100C Inlet
120	208V	3P+N+G	RBT3-C1-167
125	250V	3P+N+G	RBT3-C1-077

Configuration T3-C2



Side 1

- (1) DSN Receptacles
- (1) 20A Type 5-20 Duplex GFCI



Side 2

- (2) 3 Pole MCB's
- (2) 20A 1 Pole MCB's



Side 3

- (1) DSN Receptacles
- (1) 20A Type 5-20 Duplex GFCI



Side 4

- (1) Inlet

Voltage		Contacts	Part #: Configuration T3-C2-20A 20A & 60A DSN Recepts & 100A DS100C Inlet	Part #: Configuration T3-C2-30A 30A & 60A DSN Recepts & 100A DS100C Inlet
120	208V	3P+N+G	RBT3-C2-167-20A	RBT3-C2-167-30A
125	250V	3P+N+G	RBT3-C2-077-20A	RBT3-C2-077-30A

* Ampacity ratings of MCB's match the receptacles they protect.