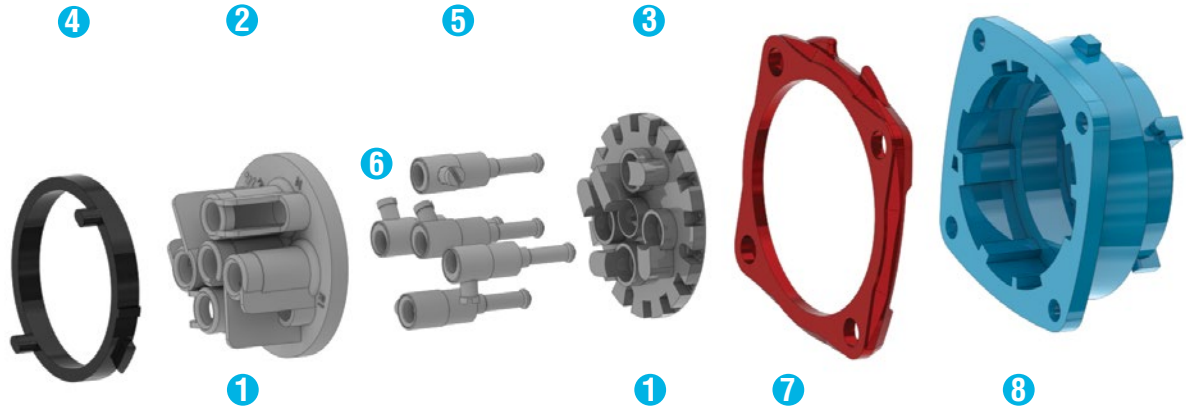


PN SPARE PARTS Male Configuration

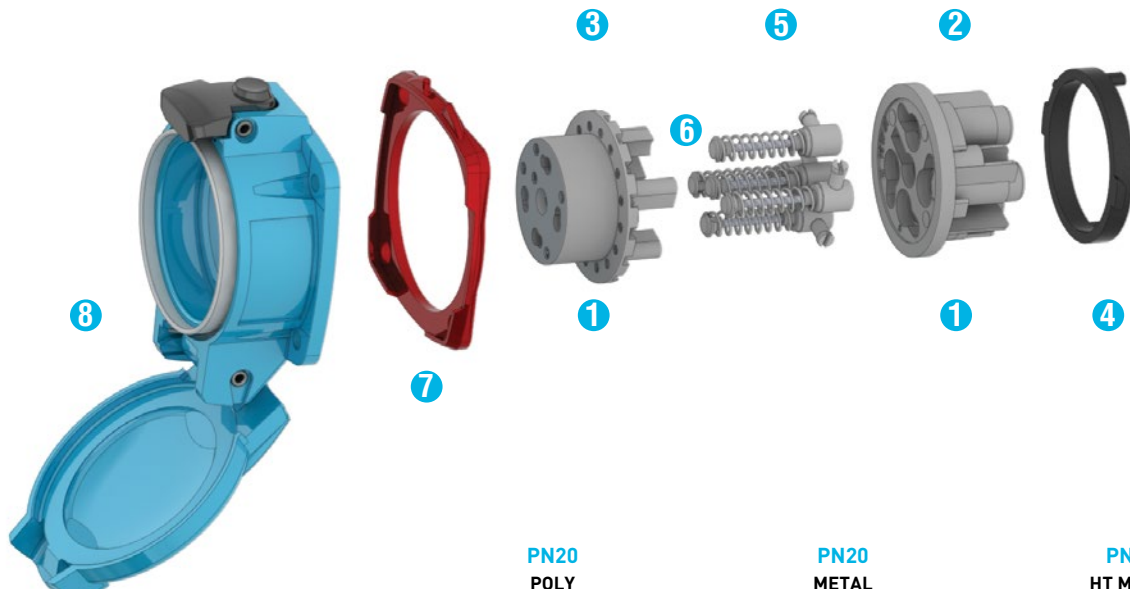


		PN20 POLY	PN20 METAL	PNHT HT METAL
1	Plug Interior**	01-2A010*	01-2A010*	01-2A010-185*
2	Interior Bottom**	01-2A010-B	01-2A010-B	01-2A010-185-B
3	Interior Top**	01-2A010-T*	01-2A010-T*	01-2A010-185-T*
4	Locking Ring	01-NA583	09-2A583	09-2A583-185
4	Plug Contact	01-2A011	01-2A011	01-2A011-185
5	Ground Contact	01-2A019	01-2A019	01-2A019-185
6	Color-Coded Voltage Gasket	125V	61-1AC26	-
		208V	61-1AB26	-
		250V	61-1AC26	-
		480V	61-1AR26	-
7	Plug Casing	01-NA014**	09-NA014**	09-2A014-185**

* Voltage and phasing positions must be specified (5th, 6th & 7th digit of Part #) to duplicate your shutter and alignment notches.

** For appropriate labeling on a device, please specify voltage, phasing, and product type.

PN SPARE PARTS Female Configuration



		PN20 POLY	PN20 METAL	PNHT HT METAL
1	Receptacle Interior	01-2A020*	01-2A020*	01-2A020-185*
2	Interior Bottom	01-2A020-B	01-2A020-B	01-2A020-185-B
3	Interior Top	01-2A020-T*	01-2A020-T*	01-2A020-185-T*
4	Locking Ring	01-NA583	09-2A583	09-2A583-185
5	Receptacle Contact	01-2A021	01-2A021	01-2A021-185
5	Ground Contact	01-2A029	01-2A029	01-2A029-185
6	Color-Coded Voltage Gasket	125V	61-1AC26	-
		208V	61-1AB26	-
		250V	61-1AC26	-
		480V	61-1AR26	-
7	Receptacle Casing w/Lid IP54/IP55	01-SA024**	09-SA024**	09-2A024-185**
7	Receptacle Casing w/Lid IP66/IP67	01-NA024**	09-NA024**	-

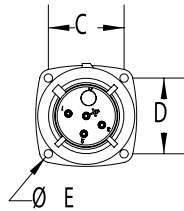
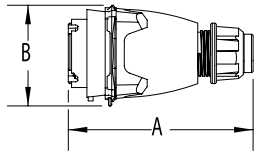
* Voltage and phasing positions must be specified (5th, 6th & 7th digit of Part #) to duplicate your shutter and alignment notches.

** For appropriate labeling on a device, please specify voltage, phasing, and product type.

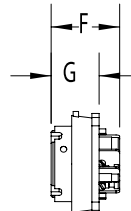
PN DIMENSIONS – Provided in inches

Dimensions are for reference only and may change depending on accessories used. For precise dimensions contact MELTRIC Engineering.

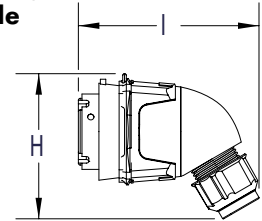
Plug



Inlet

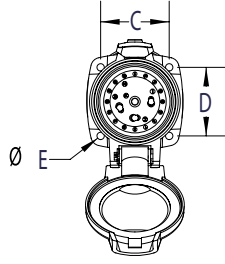
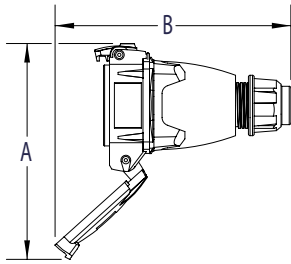


Plug Angled Handle

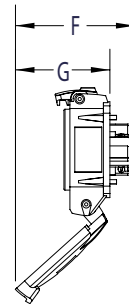


PRODUCT	A	B	C	D	ØE	F	G	H	I
PN	4.33	2.4	16.5	1.65	0.18	1.5	1.14	3.9	3.17

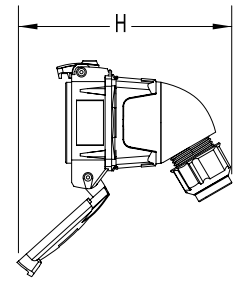
Connector



Receptacle

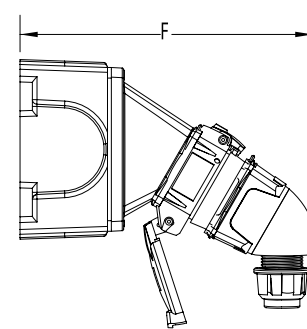
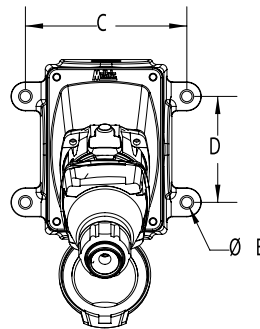
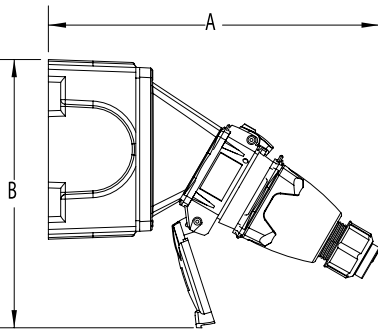


Connector Angled Handle



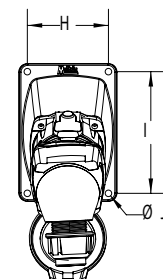
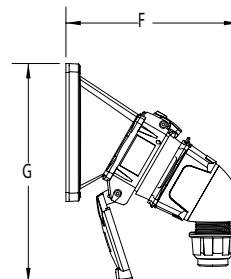
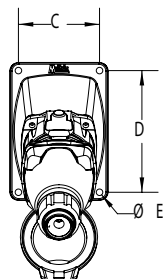
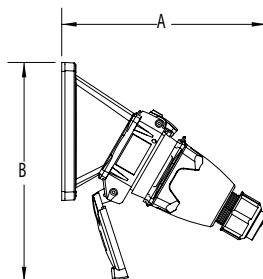
PRODUCT	A	B	C	D	E	F	G	H
PN	5.51	5.69	1.65	1.65	0.18	1.93	1.38	4.17

Box/30° Angle/Receptacle/Plug



PRODUCT	A	B	C	D	E	F
PN	8.59	6.96	4.19	2.75	0.27	7.6

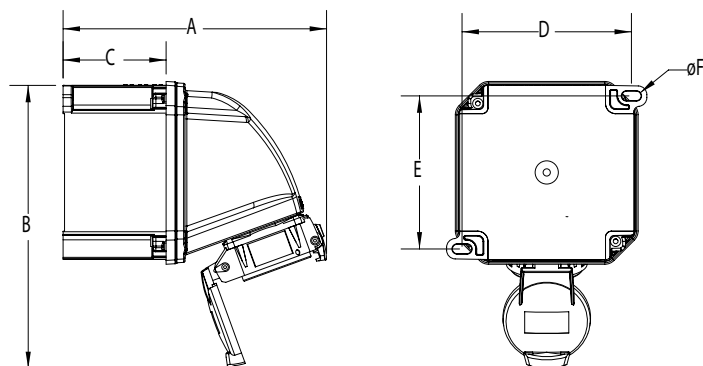
30° Angle/Receptacle/Plug



PRODUCT	A	B	C	D	ØE	F	G	H	I	J
PN	6.32	6.76	2.5	3.75	0.2	5.33	6.76	2.5	3.75	0.2



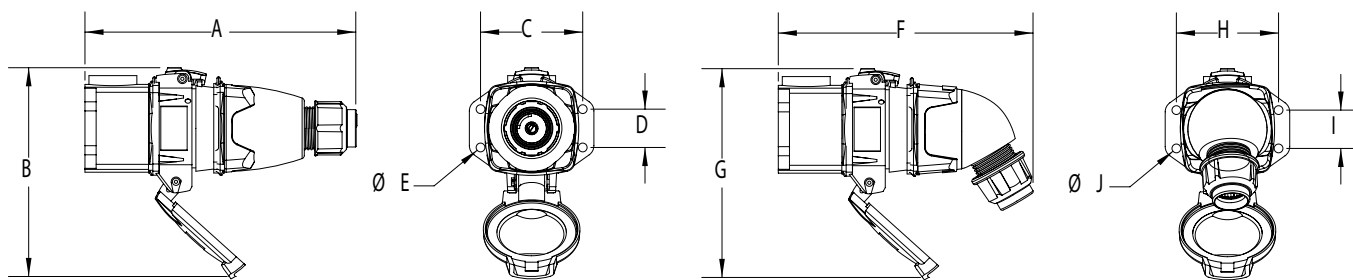
70° Wall Box/ Receptacle



PRODUCT	A	B	C	D	E	ØF
PN	7.15	7.68	2.80	4.60	4.15	0.26

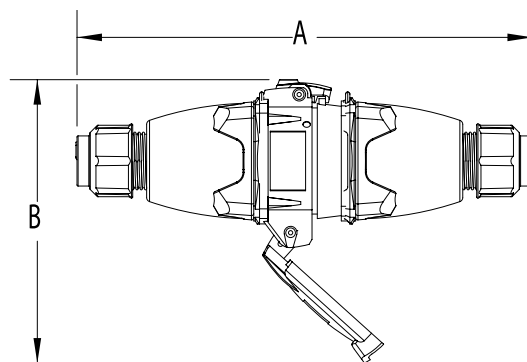
Straight Wall Box/Receptacle/Plug

Straight Wall Box/Receptacle/ Plug/Angled Handle



PRODUCT	A	B	C	D	ØE	F	G	H	I	ØJ
PN	6.68	5.15	2.52	0.95	0.22	6.28	5.15	2.52	0.95	0.22

Connector/Plug



PRODUCT	A	B
PN	8.37	5.21

