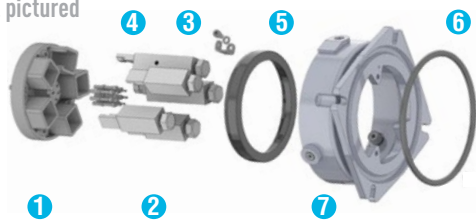


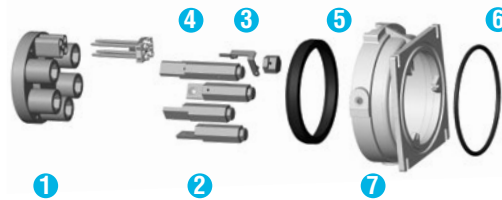
PF/PFQ SPARE PARTS

Male Configuration

PFQ pictured



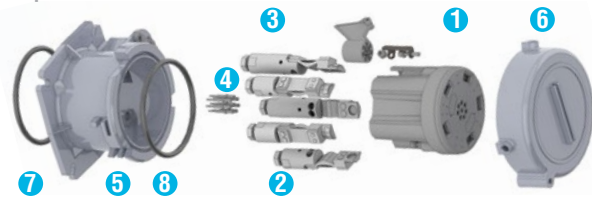
PF pictured



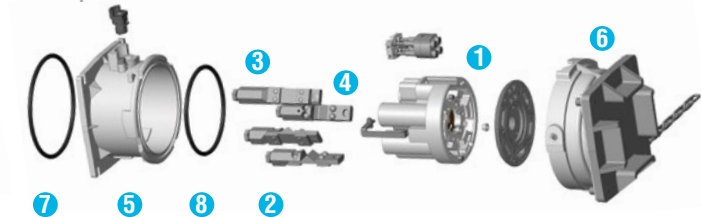
	PFQ300 METAL	PF300 METAL	PF400 METAL	PF600 METAL
1 Plug Interior*	47-3A010 ⁺	49-3A010	49-4A010	49-6A010
Plug Interior with contacts** (Pilot & Ground only)	47-3A110	49-3A110	49-4A110	49-6A110
2 Phase Contact	47-4A011	49-3A011	49-4A011	49-6A011
3 Neutral Contact	47-3A011N	49-3A011N	49-4A011N	49-6A011N
4 Ground Contact	47-3A019	49-3A019	49-4A019	49-6A019
5 Inside Gasket	CPF403PFQ	CPF403	CPF403	CPF403
6 Outside Gasket	CPF405PFQ	CPF405	CPF405	CPF405
7 Plug Metal Casing*	47-3A014	49-3A014	49-4A014	49-6A014

Female Configuration

PFQ pictured



PF pictured



	PFQ300 METAL	PF300 METAL	PF400 METAL	PF600 METAL
1 Receptacle Interior*	47-3A020 ⁺	49-3A020	49-4A020	49-6A020
Receptacles Interior with contacts** (Pilot & Ground only)	47-3A220	49-3A220	49-4A220	49-6A220
2 Phase Contact	47-4A021	49-3A021	49-4A021	49-6A021
3 Neutral Contact	47-3A021N	49-3A021N	49-4A021N	49-6A021N
4 Ground Contact	47-3A029	49-3A029	49-4A029	49-6A029
5 Receptacle Metal Casing*	47-3A024	49-3A024	49-4A024	49-6A024
6 Cap (Receptacle)	47-3A925	49-3A925	49-3A925	49-3A925
7 Inside Gasket	CPF403PFQ	CPF403	CPF403	CPF403
8 Outside Gasket	CPF405PFQ	CPF405	CPF405	CPF405

* Voltage and phasing positions must be specified (5th, 6th & 7th digit of Part #) to duplicate your shutter and alignment notches.

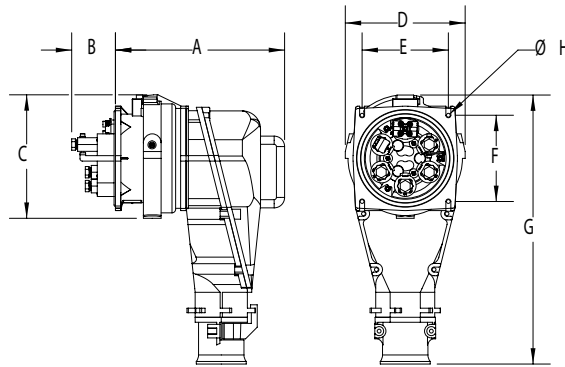
** Includes ground and pilot contacts only.

+ Includes pilot contacts only.

PF/PFQ DIMENSIONS – Provided in inches

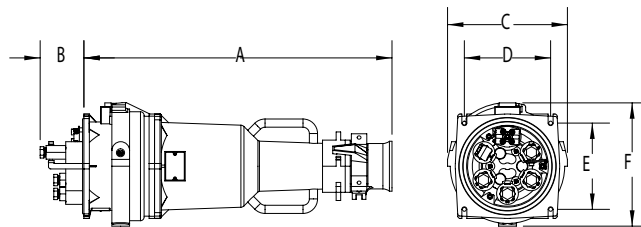
Dimensions are for reference only and may change depending on accessories used. For precise dimensions contact MELTRIC Engineering.

angled plug



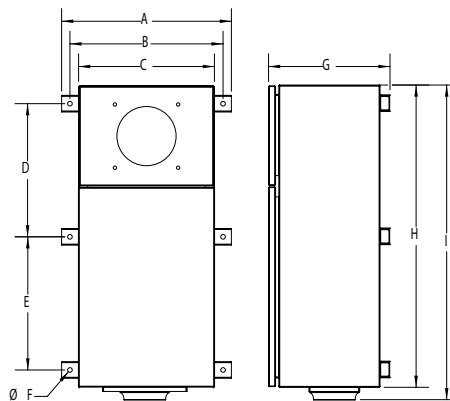
PRODUCT	A	B	C	D	E	F	G	H
PFQ	13.94	2.72	9.61	7.95	5.71	5.71	18.54	0.43
PF	14.67	3.79	10.71	10.39	7.48	7.48	23.33	0.43

straight plug



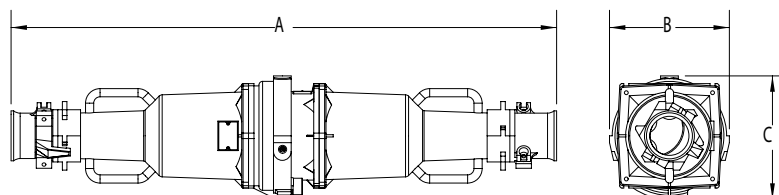
PRODUCT	A	B	C	D	E	F
PFQ	25.4	2.72	7.95	5.71	5.71	9.61
PF	26.72	3.79	10.39	7.48	7.48	10.69

SS Wall Boxes



PRODUCT	A	B	C	D	E	F	G	H	I
PFQ	20.08	18.11	16.06	18.03	N/A	0.55	10.55	23.94	25.42
PF	20.08	18.11	16.06	15.75	15.75	0.55	14.36	35.75	37.21

Connector/Plug



PRODUCT	A	B	C
PFQ	46.5	9.61	7.95
PF	47.31	10.39	10.69

