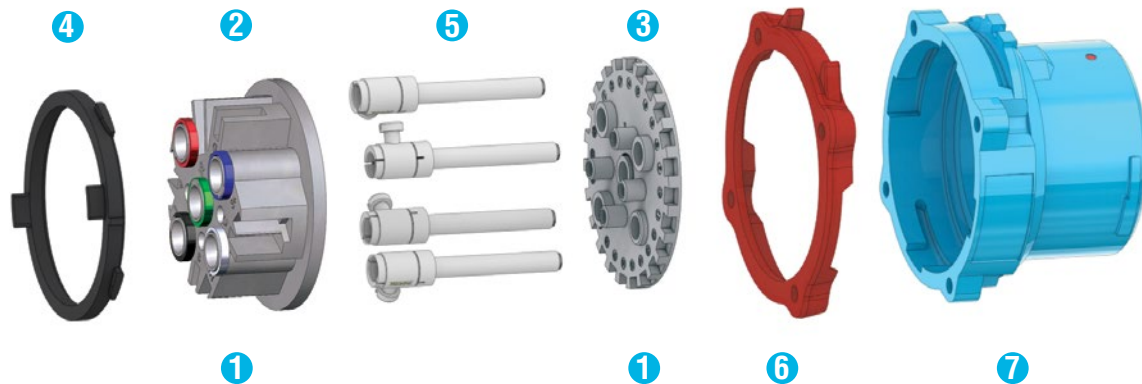


DSN SPARE PARTS Male Configuration



		DSN20 POLY	DSN30 POLY	DSN60 POLY	DSN150 POLY	DSN150 METAL	
1	Plug Interior***	61-1A010*	61-3A010*	61-6A010*	63-9A010*	67-9A010*	
1	Plug Interior with 2 pilots*	-	61-3A310-972*	61-6A310-972*	63-9A310-262	67-9A310-262*	
2	Interior Bottom***	61-1A010-B	61-3A010-B	61-6A010-B	63-9A551	67-9A551	
3	Interior Top***	61-1A010-T*	61-3A010-T*	61-6A010-T*	63-9A010-T*	67-9A010-T*	
4	Polyester Locking Ring	61-1A583	61-3A583	61-6A583	63-9A583	-	
4	Metal Locking Ring	-	-	-	-	67-9A583	
5	Plug Phase Contact (If no aux. contacts)	61-1A011	61-3A011-380	61-6A011	63-9A011	63-9A011	
5	Plug Phase Contact (If plug has aux. contacts)	61-1A011	61-3A011	61-6A011	63-9A011	63-9A011	
5	Plug Ground Contact	61-1A019	61-3A019	61-6A019	63-9A019	63-9A019	
6	Color-Coded Voltage Gasket	125V	61-1AC26	61-3AC26	61-6AC26	31-9AC26	39-2AC26
		208V	61-1AB26	61-3AB26	61-6AB26	31-9AB26	39-2AB26
		250V	61-1AC26	61-3AC26	61-6AC26	31-9AC26	39-2AC26
		480V	61-1AR26	61-3AR26	61-6AR26	31-9AR26	39-2AR26
		600V	61-1AN26	61-3AN26	61-6AN26	31-9AN26	39-2AN26
7	Plug Polyester Casing	61-1A014**	61-3A014**	61-6A014**	63-9A014**	-	
7	Plug Metal Casing	-	-	-	-	67-9A014	

* Voltage and phasing positions must be specified (5th, 6th & 7th digit of Part #) to duplicate your shutter and alignment notches.

** For appropriate labeling on a device, please specify voltage, phasing, and product type.

*** For interiors with pilot contacts, contact Customer Service for part numbers.

+ For interiors with more than 2 pilot contacts, contact Customer Service for part numbers.

DSN SPARE PARTS Female Configuration



		DSN20 POLY	DSN30 POLY	DSN60 POLY	DSN150 POLY	DSN150 METAL	
1	Receptacle Interior***	61-1A020*	61-3A020*	61-6A020*	63-9A020*	67-9A020*	
	Receptacle Interior with 2 pilots*	61-1A020-972	61-3A320-972*	61-6A320-972*	63-9A320-262*	67-9A320-262*	
2	Interior Bottom***	61-1A020-B	61-3A020-B	61-6A020-B	63-9A552	67-9A552	
3	Interior Top***	61-1A020-T*	61-3A020-T*	61-6A020-T*	63-9A020-T*	67-9A020-T*	
4	Polyester Locking Ring	61-1A583	65-3A583	61-6A583	63-9A583	-	
4	Metal Locking Ring	-	-	-	-	67-9A583	
5	Receptacle Phase Contact (If no aux. contacts)	61-1A021	61-3A021-380	61-6A021	63-9A021	63-9A021	
5	Receptacle Phase Contact (If plug has aux. contacts)	61-1A021	61-3A021	61-6A021	63-9A021	63-9A021	
5	Receptacle Ground Contact	61-1A029	61-3A029	61-6A029	63-9A029	67-9A029	
6	Color-Coded Voltage Gasket	125V	61-1AC26	61-3AC26	61-6AC26	31-9AC26	31-9AC26
		208V	61-1AB26	61-3AB26	61-6AB26	31-9AB26	31-9AB26
		250V	61-1AC26	61-3AC26	61-6AC26	31-9AC26	31-9AC26
		480V	61-1AR26	61-3AR26	61-6AR26	31-9AR26	31-9AR26
		600V	61-1AN26	61-3AN26	61-6AN26	31-9AN26	31-9AN26
7	Receptacle Polyester Casing	61-1A024**	61-3A024**	61-6A024**	63-9A024**	-	
7	Receptacle Metal Casing	-	-	-	-	67-9A024	
8	Lid Replacement Kit Polyester	61-1A125	61-3A125	61-6A125	63-9A125	-	
8	Lid Replacement Kit Metal	-	-	-	-	67-9A925	
9	Pawl Replacement Kit Polyester	61-1A824	61-6A824	61-6A824	61-9A824	-	
9	Pawl Replacement Kit Metal	69-1A824	69-6A924	69-6A924	69-9A924	67-9A824	

* Voltage and phasing positions must be specified (5th, 6th & 7th digit of Part #) to duplicate your shutter and alignment notches.

** For appropriate labeling on a device, please specify voltage, phasing, and product type.

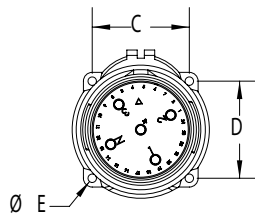
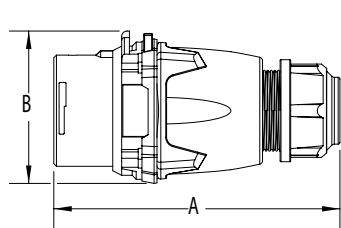
*** For interiors with pilot contacts, contact Customer Service for part numbers.

* For interiors with more than 2 pilot contacts, contact Customer Service for part numbers.

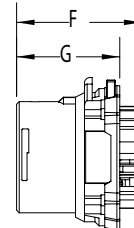
DSN DIMENSIONS – Provided in inches

Dimensions are for reference only and may change depending on accessories used. For precise dimensions contact MELTRIC Engineering.

Plug

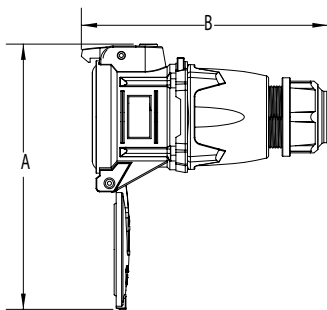


Inlet

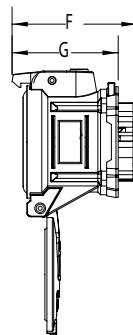
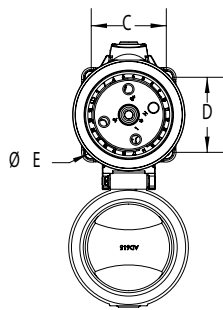


PRODUCT	A	B	C	D	øE	F	G
DSN20	5.28	2.40	1.65	1.65	0.17	2.46	1.87
DSN30	5.75	2.91	1.89	1.89	0.18	2.56	1.97
DSN60	6.30	3.46	2.17	2.17	0.19	2.80	2.21
DSN150	8.33	4.59	3.20	3.20	0.24	4.14	3.04

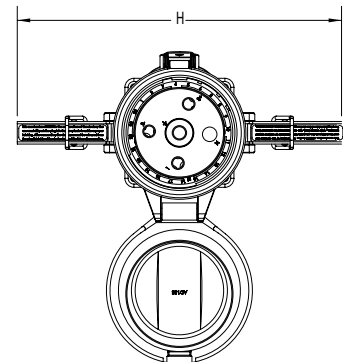
Connector



Receptacle

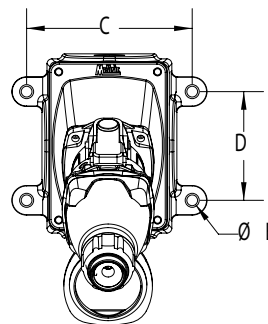
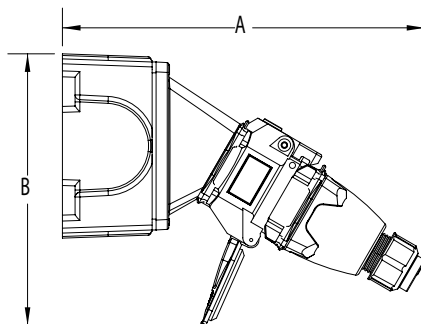


Extended Draw bars



PRODUCT	A	B	C	D	øE	F	G	H
DSN20	5.26	5.6	1.65	1.65	0.19	3.15	2.10	N/A
DSN30	7.05	6.93	1.89	1.89	0.18	3.53	2.88	N/A
DSN60	7.74	7.22	2.17	2.17	0.20	3.64	3.09	N/A
DSN150	11.04	10.02	3.20	3.20	0.23	5.71	4.74	11.52

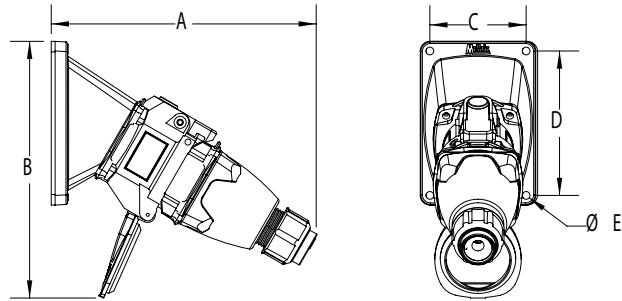
Box /30° Angle/ Receptacle/Plug



PRODUCT	A	B	C	D	øE
DSN20	7.80	7.25	4.19	2.75	0.27
DSN30	9.85	7.60	4.19	2.75	0.27
DSN60	10.48	8.20	4.19	2.75	0.27
DSN150	16.06	10.33	6.75	4.25	0.31

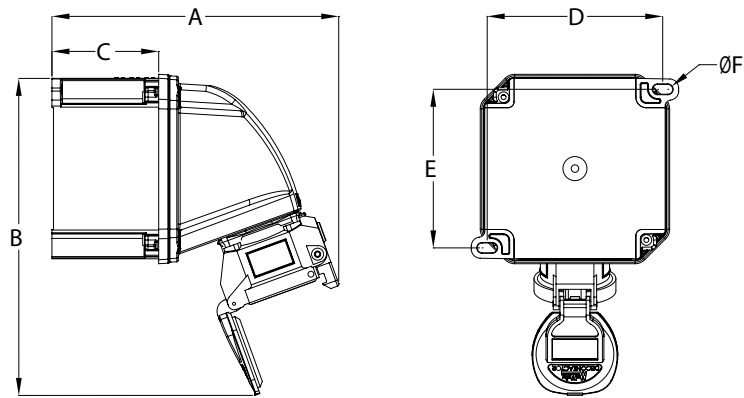


30° Angle/Receptacle/Plug



PRODUCT	A	B	C	D	ØE
DSN20	7.80	7.10	2.50	3.75	0.18
DSN30	9.85	8.50	2.50	3.75	0.22
DSN60	10.48	9.02	2.50	3.75	0.22
DSN150	16.06	12.05	4.83	4.83	0.28

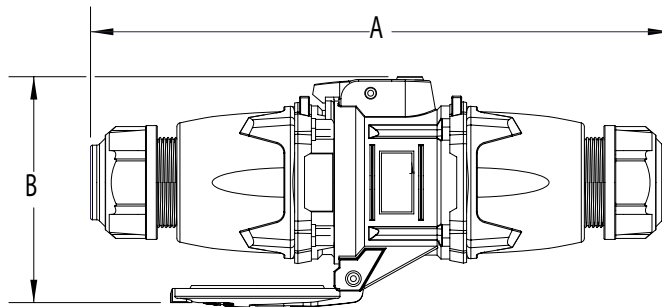
70° Wall Box/Receptacle



PRODUCT	A	B	C	D	E	ØF
DSN20	7.51	8.30	2.80	4.60	4.15	0.26
DSN30	7.93	9.51	2.80	4.60	4.15	0.26
DSN60*	8.91	11.55	2.80	6.17	5.73	0.26

* Box has 4 mounting feet

Plug/Connector



PRODUCT	A	B
DSN20	9.09	3.50
DSN30/DSN24	10.43	4.57
DSN60/DSN37	11.26	4.80
DSN150	19.53	8.03

