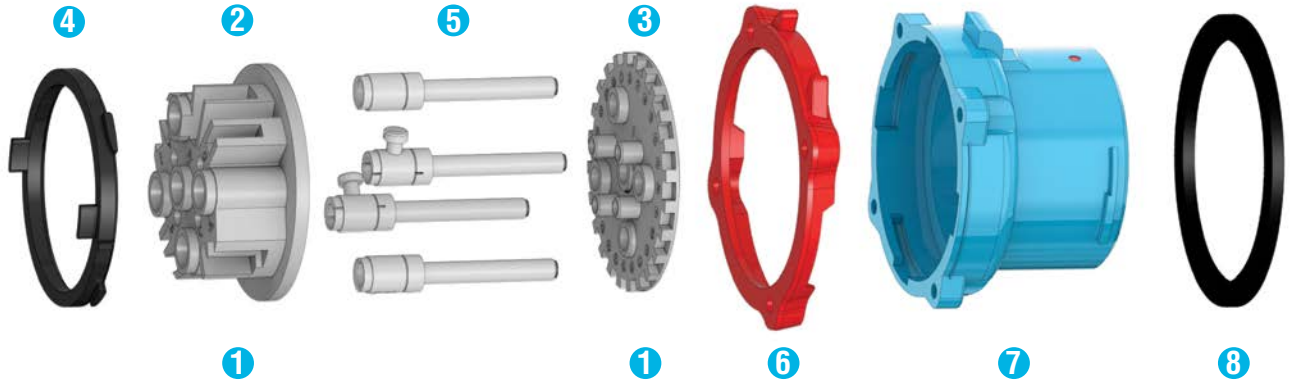


# DR SPARE PARTS Male Configuration



	DR30 POLY	DR50 POLY	DR100 POLY	DR100 METAL	DR150 POLY	DR150 METAL	DR250 METAL	DR400 METAL	
1 Plug Interior***	31-1A010*	31-3A010*	31-6A010*	31-6A010*	61-9A010*	69-9A010*	39-2A010-A06*	-	
1 Plug Interior w/Ground Contacts***	-	-	-	39-6A110*	-	69-9A110*	39-2A110-A06*	-	
1 Plug Interior with 2 Pilots+	31-1A310-972*	31-3A310-972*	31-6A310-972*	31-6A310-972*	61-9A310-262*	61-9A310-262*	39-2A310-172-A06*	39-4A310-172*	
2 Interior Bottom***	31-1A010-B	31-3A010-B	31-6A010-B	31-6A010-B	61-9A551	69-9A551	39-2A010-B-A06	39-4A010-B	
3 Interior Top***	31-1A010-T*	31-3A010-T*	31-6A010-T*	31-6A010-T*	61-9A010-T*	69-9A010-T*	39-2A010-T*	39-4A010-T*	
4 Polyester Locking Ring	31-1A583	31-3A583	31-6A583	-	31-9A583	-	-	-	
4 Metal Locking Ring	-	-	-	39-6A583	-	39-9A583	39-2A583	39-4A583	
5 Plug Phase Contact (If no aux. contacts)	31-1A011-380	31-3A011-380	31-6A011	31-6A011	61-9A011	61-9A011	39-2A011-A06	-	
5 Plug Phase Contact (If plug has aux. contacts)	31-1A011	31-3A011-380	31-6A011	31-6A011	61-9A011	61-9A011	39-2A011-A06	39-4A011	
5 Plug Ground Contact	31-1A019	31-3A019	31-6A019	39-6A019	61-9A019	69-9A019	39-2A019-A06	39-4A019	
6 Color-Coded Voltage Gasket	125V	31-1AC26	31-3AC26	31-6AC26	31-6AC26	31-9AC26	31-9AC26	39-2AC26	-
	208V	31-1AB26	31-3AB26	31-6AB26	31-6AB26	31-9AB26	31-9AB26	39-2AB26	-
	250V	31-1AC26	31-3AC26	31-6AC26	31-6AC26	31-9AC26	31-9AC26	39-2AC26	-
	480V	31-1AR26	31-3AR26	31-6AR26	31-6AR26	31-9AR26	31-9AR26	39-2AR26	-
	600V	31-1AN26	31-3AN26	31-6AN26	31-6AN26	31-9AN26	31-9AN26	39-2AN26	-
7 Plug Polyester Casing w/Plug Gasket	31-1A014**	31-3A014**	31-6A014**	-	61-9A014**	-	-	-	
7 Plug Metal Casing w/Plug Gasket	-	-	-	39-6A014**	-	39-9A014**	39-2A014**	39-4A014**	
8 Type 4X Gasket	31-1A056	31-3A056	31-6A066	39-6A066	-	31-9A066	39-2A056	-	

\* Voltage and phasing positions must be specified (5th, 6th & 7th digit of Part #) to duplicate your shutter and alignment notches.

\*\* For appropriate labeling on a device, please specify voltage, phasing, and product type.

\*\*\* For interiors with pilot contacts, contact Customer Service for part numbers.

+ For interiors with more than 2 pilot contacts, contact Customer Service for part numbers.

# DR SPARE PARTS Female Configuration



	DR30 POLY	DR50 POLY	DR100 POLY	DR100 METAL	DR150 POLY	DR150 METAL	DR250 METAL	DR400 METAL
1 Receptacle Interior***	31-1A020*	31-3A020*	31-6A020*	31-6A020*	61-9A020*	69-9A020*	39-2A020-A06*	
1 Recept Interior w/Ground Contacts***	-	-	-	39-6A220*	-	69-9A220*	39-2A220-A06*	
1 Receptacle Interior with 2 Pilots+	31-1A320-972*	31-3A320-972*	31-6A320-972*	31-6A320-972*	61-9A320-262*	61-9A320-262*	39-2A320-172-A06*	39-4A320-172*
2 Interior Bottom***	31-1A020-B	31-3A020-B	31-6A020-B	31-6A020-B	61-9A552	69-9A552	39-2A020-B-A06	39-4A020-B
3 Interior Top***	31-1A020-T*	31-3A020-T*	31-6A020-T*	31-6A020-T*	61-9A020-T*	69-9A020-T*	39-2A020-T*	39-4A020-T*
4 Polyester Locking Ring	31-1A583	31-3A583	31-6A583	-	31-9A583	-	-	
4 Metal Locking Ring	-	-	-	39-6A583	-	39-9A583	39-2A583	39-4A583
5 Recept Phase Contact (If no aux. contacts)	31-1A021-380	31-3A021-380	31-6A021	31-6A021	61-9A021	61-9A021	39-2A021-A06	
5 Recept Phase Contact (If plug has aux. contacts)	31-1A021	31-3A021-380	31-6A021	31-6A021	61-9A021	61-9A021	39-2A021-A06	39-4A021
5 Recept Ground Contact	31-1A029	31-3A029	31-6A029	39-6A029	61-9A029	69-9A029	39-2A029-A06	39-4A029
6 Color-Coded Voltage Gasket	125V	31-1AC26	31-3AC26	31-6AC26	31-6AC26	31-9AC26	31-9AC26	39-2AC26
	208V	31-1AB26	31-3AB26	31-6AB26	31-6AB26	31-9AB26	31-9AB26	39-2AB26
	250V	31-1AC26	31-3AC26	31-6AC26	31-6AC26	31-9AC26	31-9AC26	39-2AC26
	480V	31-1AR26	31-3AR26	31-6AR26	31-6AR26	31-9AR26	31-9AR26	39-2AR26
	600V	31-1AN26	31-3AN26	31-6AN26	31-6AN26	31-9AN26	31-9AN26	39-2AN26
7 Receptacle Polyester Casing w/Lid	31-1A024**	31-3A024**	31-6A024**	-	61-9A024**	-	-	
7 Receptacle Metal Casing with Lid	-	-	-	39-6A024**	-	39-9A024**	39-2A024**	39-4A024** ++
8 Lid Replacement Kit Polyester	31-1A125	31-3A125	31-6A425	-	61-9A125	-	-	
8 Lid Replacement Kit Metal	-	-	-	39-6A925	-	39-9A925	39-2A925	
9 Pawl Replacement Kit Polyester	31-1A824	31-3A824	31-6A824	-	61-9A824	-	-	
9 Pawl Replacement Kit Metal	39-1A824	39-3A824	39-6A824	39-6A824	69-9A924	39-9A824	39-2A824	

\* Voltage and phasing positions must be specified (5th, 6th & 7th digit of Part #) to duplicate your shutter and alignment notches.

\*\* For appropriate labeling on a device, please specify voltage, phasing, and product type.

\*\*\* For interiors with 2 pilot contacts, contact Customer Service for part numbers.

+ For interiors with more than 2 pilot contacts, contact Customer Service for part numbers.

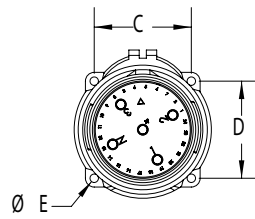
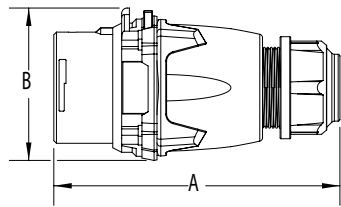
++ For DR 400 Drawbar Accessory contact Customer Service.

For replacement parts contact customer service at 800.433.7642

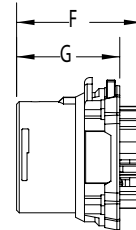
# DR DIMENSIONS – Provided in inches

Dimensions are for reference only and may change depending on accessories used. For precise dimensions contact MELTRIC Engineering.

## Plug

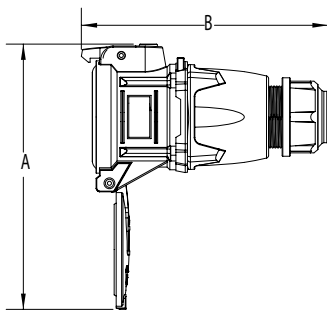


## Inlet

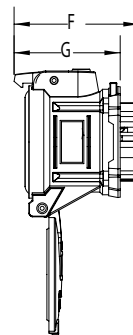
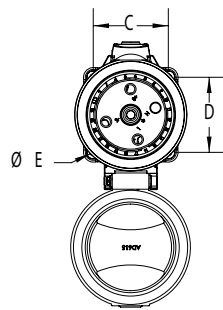


PRODUCT	A	B	C	D	øE	F	G
DR30	5.72	2.79	1.89	1.89	0.2	2.28	1.86
DR50	6.15	3.23	2.17	2.17	0.2	2.93	2.07
DR100/DR7c	6.7	3.77	2.59	2.59	0.24	3.42	2.38
DR150	8.33	4.59	3.2	3.2	0.24	4.14	3.04
DR250	10.3	5.67	3.86	3.86	0.26	4.66	3.2

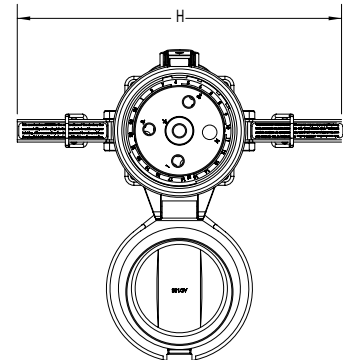
## Connector



## Receptacle

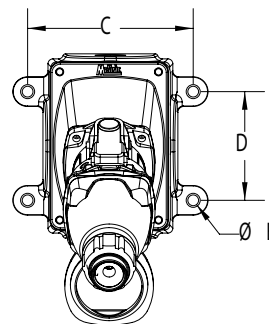
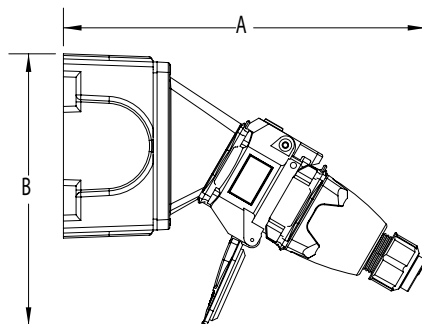


## Extended Draw bars



PRODUCT	A	B	C	D	øE	F	G	H
DR30	6.32	6.38	1.89	1.89	0.2	3.3	2.6	N/A
DR50	7.16	6.93	2.17	2.17	0.2	3.73	2.87	N/A
DR100/DR7c	8.46	7.75	2.59	2.59	0.22	4.53	3.37	N/A
DR150	11.04	10.02	3.2	3.2	0.23	5.71	4.74	11.52
DR250	11.54	10.87	3.86	3.86	0.26	6.21	4.75	12.07

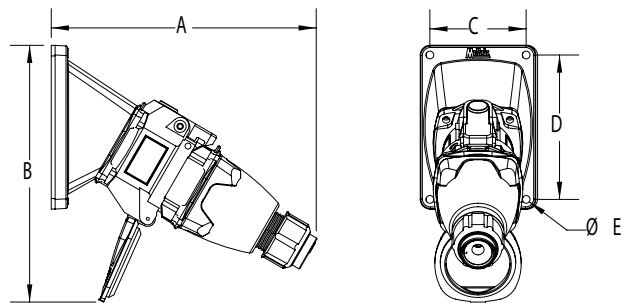
## Box/30° Angle/ Receptacle/Plug



PRODUCT	A	B	C	D	øE
DR30	9.84	7.29	4.19	2.75	0.27
DR50	10.3	8.39	4.19	2.75	0.27
DR100/DR7c	11.87	10.45	5	3.81	0.33
DR150	16.06	11.77	6.75	4.25	0.31
DR250	15.76	11.54	8.13	6.38	0.31

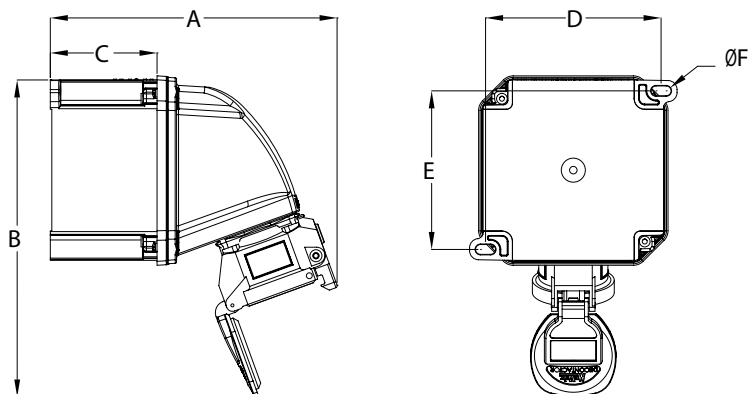


**30° Angle/Receptacle/Plug**



PRODUCT	A	B	C	D	ØE
DR30	7.60	7.87	2.50	3.75	0.22
DR50	8.19	8.44	2.50	3.75	0.22
DR100/DR7c	9.17	10.16	3.43	4.83	0.26
DR150	14.09	12.05	4.83	4.83	0.28
DR250	11.61	15.03	6.50	6.50	0.25

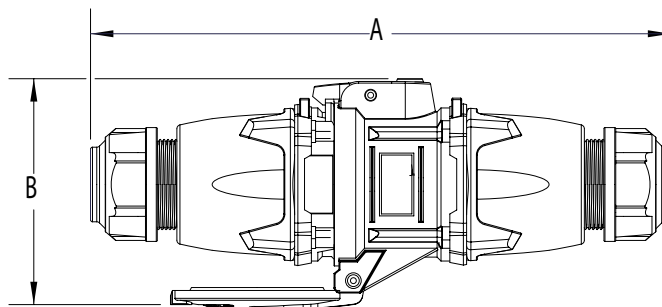
**70° Wall Box/ Receptacle**



PRODUCT	A	B	C	D	E	ØF
DR30	7.51	8.30	2.80	4.60	4.15	0.26
DR50	7.93	9.51	2.80	4.60	4.15	0.26
DR100/DR7c*	8.91	11.55	2.80	6.17	5.73	0.26

\* Box has 4 mounting feet

**Plug/Connector**



PRODUCT	A	B
DR30	10.2	4.61
DR50	10.91	5.71
DR100/DR7c	12.17	6.57
DR150	19.53	8.03
DR250	23.15	8

