

# CS1000

High Amperage  
plug and receptacle



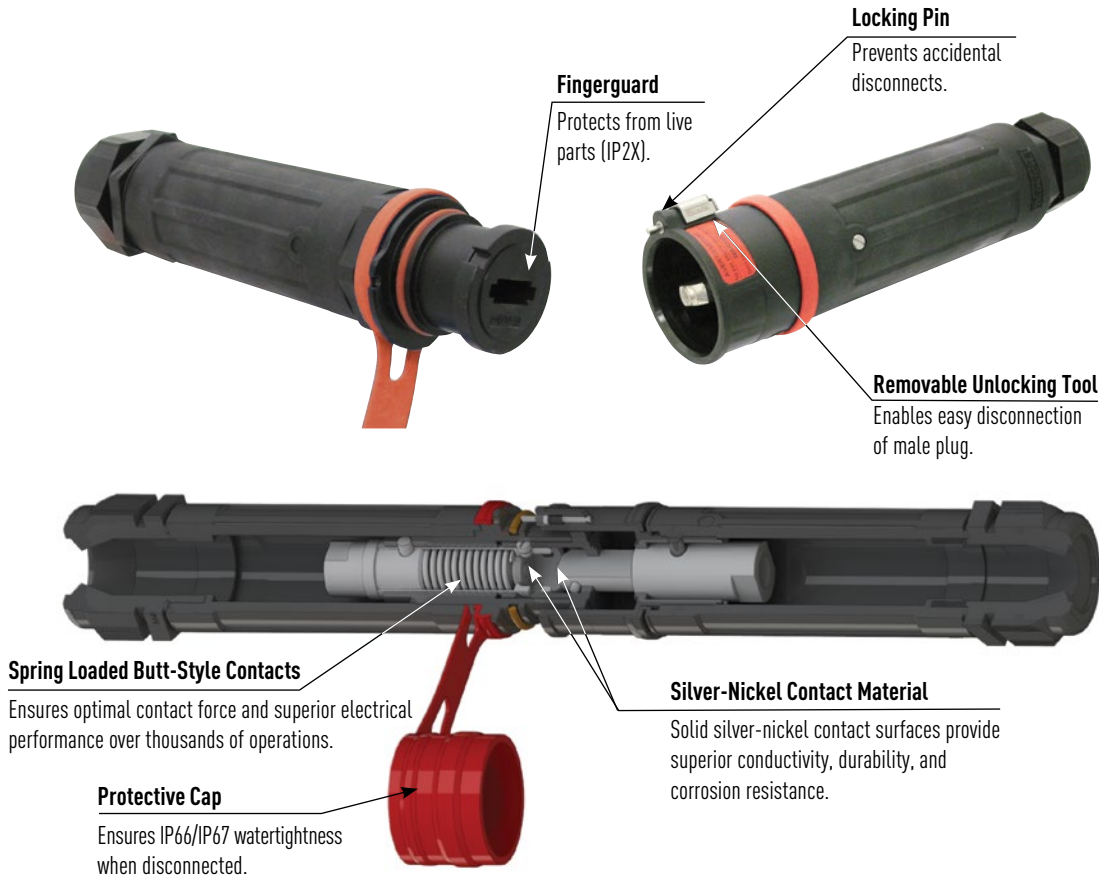
## Main Advantages

- ▶ High Amperage Capacity up to 400A at 600VAC, 600VDC (in North America) or 1000VAC, 1500VDC (in Europe - CE rated).
- ▶ Safety features protect users from live parts and prevent unwanted disconnection.
- ▶ Silver-nickel butt contacts provide superior performance and corrosion resistance.



- ▶ Features and Ratings p. 149
- ▶ CS1000 p. 150
- ▶ Dimensions p. 151

# PRODUCT FEATURES



## Operating Instructions

### Connection



### Disconnection



## General Ratings

<b>Amperage</b>	400A
<b>Voltage</b>	1000 VAC, 1500 VDC
<b>Frequency</b>	50-400 Hz
<b>Environmental</b>	IP66/IP67
<b>Temperature</b>	min -40°F/max 140°F

\* CS1000 plugs and receptacles are UL listed in accordance with UL 1691. CS1000 devices are for use in non-load break applications up to 400A at 600VAC, 600VDC (in North America) or 1000VAC, 1500VDC (in Europe - CE rated).

## Listings

Category	UL	CSA	IEC
Receptacles for Plugs and Attachment Plugs	UL 1691	CSA 1691-12	60309-1

## Highlighted Feature

5 Mechanical Keying Postions (North America color codes shown.)



# CS1000 Standard Duty Plugs & Receptacles

## 400A-1000 VAC

**Receptacle** (female) without lug      **Inlet** (male) without lug



**!** Don't forget to add installation accessories to your order

### UL/CSA Ratings

- Amperage**  
400A  
Not for Current Interrupting
- Voltage**  
600 VAC, 600 VDC
- Short Circuit Rating**  
10kA Withstand  
Testing was performed with RK1 current limiting fuses sized at at least 100% of the devices ampacity rating.
- Environmental Ratings**  
IP66/IP67
- Temperature Range**  
Min -40°F / Max 140°F
- Wiring Capacity**  
Min 1/0 AWG / Max 450 MCM  
90°C rated wire must be used
- Applicable Standards**  
UL 1691  
CSA 1691-12

### North American Configurations

North American Color Code	Polarity	Part # without lug	Part # without lug
	L1	45-34001-P80	45-38001-P80
	L2	45-34002-P80	45-38002-P80
	L3	45-34003-P80	45-38003-P80
	NEUTRAL	45-3400N-P80	45-3800N-P80
	GROUND	45-3400T-P80	45-3800T-P80
	POSITIVE	45-3400P-P80	45-3800P-P80
	NEGATIVE	45-3400M-P80	45-3800M-P80

### IEC/CE Configurations

European Color Code	Polarity	Part # Poly	Part # Poly
	L1	45-34001	45-38001
	L2	45-34002	45-38002
	L3	45-34003	45-38003
	NEUTRAL	45-3400N	45-3800N
	GROUND	45-3400T	45-3800T
	POSITIVE	45-3400P	45-3800P
	NEGATIVE	45-3400M	45-3800M

### IEC/CE Ratings

- Amperage**  
400A  
Not for Current Interrupting
- Voltage**  
1000 VAC, 1500 VDC
- Environmental Ratings**  
IP66/IP67
- Temperature Range**  
Min -40°F / Max 140°F
- Wiring Capacity**  
Min 1/0 AWG / Max 450 MCM
- Applicable Standards**  
CE

## INSTALLATION ACCESSORIES – SIZE M

**ANGLES**



POLY ANGLE	Part #	Description
0°	45-3A540	Required for mounting on panels, walls, etc.
30°	45-3A027	With Adapter Plate

**ACCESSORIES**



INLET CAP	45-3A126
UNLOCKING TOOL	45-3A396
One unlocking tool on a "valet" style separable key ring is included with each male inlet.	
PADLOCKING TOOL	45-3A843

# INSTALLATION ACCESSORIES – SIZE M

**HANDLES**

HANDLE	Cable Outside Diameter	Part #	
	.550 - 1.000	45-3A753	Normal Duty 100 lb grip
	.700 - 1.260	45-3A783	
HANDLE w/Cord Grip (Mesh) Cable Outside Diameter			
	.500 - .625	45-3A753-A	Heavy Duty 300 lb grip
	.562 - .688	45-3A753-B	
	.625 - .750	45-3A753-C	
	.688 - .812	45-3A753-D	
	.750 - .875	45-3A753-E	
	.875 - 1.000	45-3A783-A	
	1.000 - 1.125	45-3A783-B	
	1.125 - 1.250	45-3A783-C	
	1.250 - 1.375	45-3A783-D	

**CRIMPING LUGS**

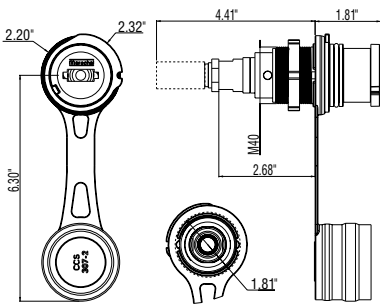
STRAIGHT w/TERMINAL	Conductor Size	Allowable Current (A)	Internal Diameter (in)	Part #
	1/0 <sup>2</sup>	200	.43	45-4A50C
	2/0	250	.52	45-4A70C
	3/0	275		
	4/0	300	.58	45-4A95C
	250	325	.63	45-4A12C
	350	350	.80	45-4A18C
	450	400	.90	45-4A24C
	Use with angle 30° or direct mount			
STRAIGHT THREADED	Conductor Size	Allowable Current (A)	Internal Diameter (in)	Part #
	1/0 <sup>2</sup>	200	.43	45-4A50D
	2/0	250	.52	45-4A70D
	3/0	275		
	4/0	300	.58	45-4A95D
	250	325	.63	45-4A12D
	350	350	.80	45-4A18D
	450	400	.90	45-4A24D

- 1 Lugs to be crimped with Greenlee EK6/DL11 Crimping Tool Dieless 120V CHR.G.
- 2 The ground conductor for the CS1000 series devices shall be limited to a maximum size of 1/0 AWG.

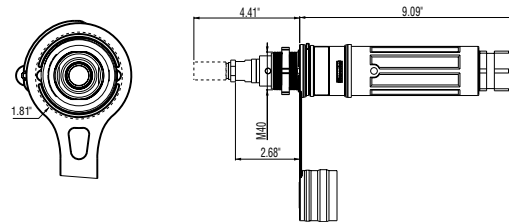
## Dimensions Inlet/Receptacle – Provided in inches

Dimensions are for reference only and may change depending on accessories used. For precise dimensions contact MELTRIC Engineering.

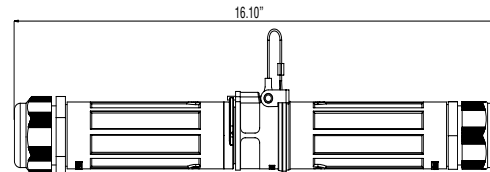
**receptacle**



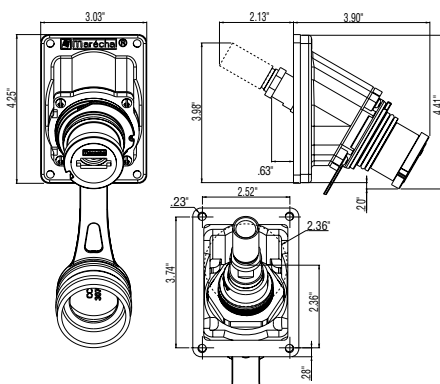
**plug/receptacle**



**inline connector**



**30° inclined receptacle / angle**



**30° receptacle / angle with plug**

